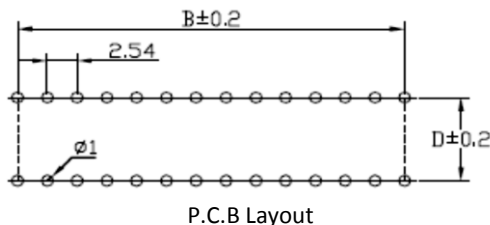
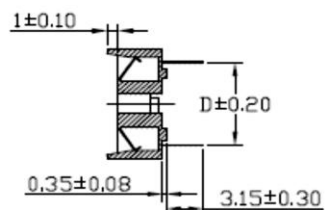
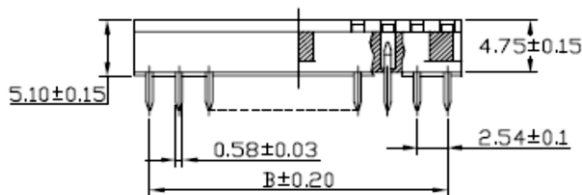
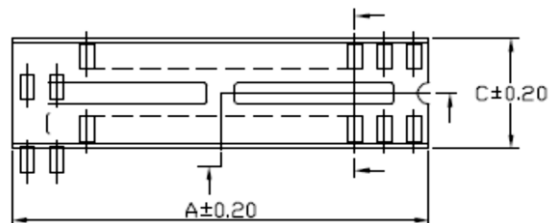
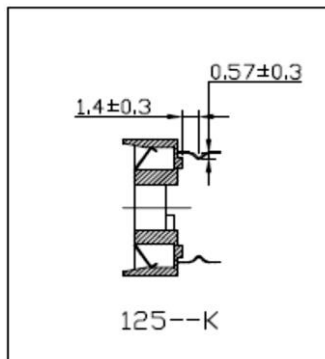
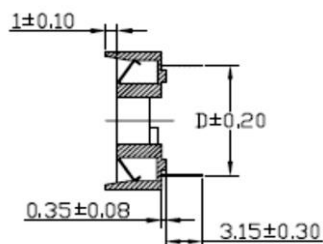
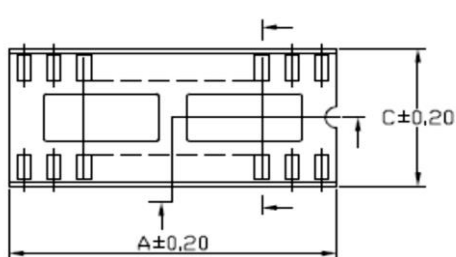


Part Description	Part No.	Material	Finishing	REV.
125 SERIES IC SOCKET 2.54MM <0.100'> STAMP TERMINAL	OYS-125-XX-XX-X-X-X-X-X	Refer to Note	Refer To Note	0



Dimensions

Positions	A	B	C	D
06	7.62	5.08	10.16	7.62
08	10.16	7.62	10.16	
14	17.78	15.24	10.16	
16	20.32	17.78	10.16	
18	22.86	20.32	10.16	
20	25.40	22.86	10.16	
24	30.48	27.94	10.16	
28	35.56	33.02	10.16	



Dimensions

Positions	A	B	C	D
22	27.94	25.40	12.70	10.16



How To Order

Ordering Information

125 - $\frac{XX}{a}$ $\frac{XX}{b}$ $\frac{X}{c}$ $\frac{X}{d}$ $\frac{X}{e}$ $\frac{X}{f}$ $\frac{X}{g}$

- a. No. Of Pins
- b. Contact Plating
00: Tin(standard)
10: Gold flash full gold
- c. 2 Rows Dimension
0: 7.62mm
1: 15.24mm
2: 22.86mm
3: 10.16mm
- d. Terminal Type
0: 180°
1: Retentive Terminal
- e. Insulator Option
0: Hollow
1: Standard type
- f. Insulator Material
0: Pbt
1: Ny lon 9t
2: Pbt-4830
- g. Contact Plating
1: pressed after plating
2: pressed before plating

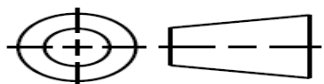
ANY DOUBTFUL PLEASE Ask. DO NOT PROCEED IF DOUBTFUL NOT CLEAR.

NOTES:

1. ELECTRICAL CHARACTERISTICS:-
 - a) Current Rating : 1.0 AMP
 - b) Operating Temperature: -55°C - 85°C
 - c) Contact Resistance : 20mΩ Initial 30mΩ after test
 - d) Dielectric Withstanding Voltage : 1,000 V RMS / minute
 - e) Insulation Resistance : 5000 MΩ min
 - f) Insertion Force: 340g (12oz) max. per contact
 - g) Withdrawal Force: 80g (2.82 oz) min per contact

3	Insulator	PBT-4830,UL 94V-0		
2	Plating	Contact Plating, Tin Plated 60u'-80u'		
1	Contact	Phosphor Bronze Thickness 0.15mm Plating		
No	Part Name	Part Material	Qty for Assy	Remarks

THIRD ANGLE PROJECTION



DRAWN BY

CHECKED BY

APPROVED BY

DATE: 16-12-2015

ALL DIMENSION ARE IN MM



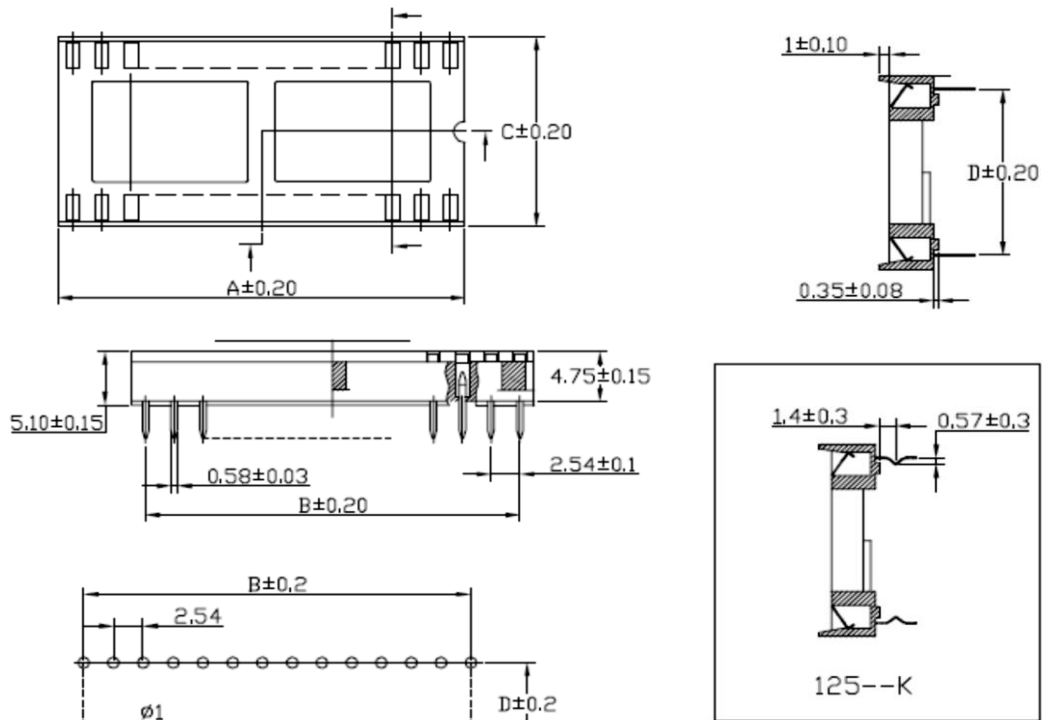
Part Description	Part No.	Material	Finishing	REV.
125 SERIES IC SOCKET 2.54MM <0.100'> STAMP TERMINAL	OYS-125-XX-XX-X-X-X-X-X	Refer to Note	Refer To Note	0

How To Order

Ordering Information

125 - $\frac{XX}{a}$ $\frac{XX}{b}$ $\frac{X}{c}$ $\frac{X}{d}$ $\frac{X}{e}$ $\frac{X}{f}$ $\frac{X}{g}$

- a. No. Of Pins
- b. Contact Plating
 - 00: Tin<standard>
 - 10: Gold flash full gold
- c. 2 Rows Dimension
 - 0: 7.62mm
 - 1: 15.24mm
 - 2: 22.86mm
 - 3: 10.16mm
- d. Terminal Type
 - 0: 180°
 - 1: Retentive Terminal
- e. Insulator Option
 - 0: Hollow
 - 1: Standard type
- f. Insulator Material
 - 0: Pbt
 - 1: Ny lon 9t
 - 2: Pbt-4830
- g. Contact Plating
 - 1: pressed after plating
 - 2: pressed before plating



Dimensions

Positions	A	B	C	D
24	30.48	27.94	17.78	15.24
28	35.56	33.02	17.78	
32	40.64	38.10	17.78	
40	50.80	48.26	17.78	
42	53.34	50.80	17.78	
48	60.96	58.42	17.78	



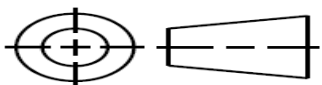
ANY DOUBTFUL PLEASE Ask. DO NOT PROCEED IF DOUBTFUL NOT CLEAR.

NOTES:

1. ELECTRICAL CHARACTERISTICS:-
 - a) Current Rating : 1.0 AMP
 - b) Operating Temperature: -55°C - 85°C
 - c) Contact Resistance : 20mΩ Initial 30mΩ after test
 - d) Dielectric Withstanding Voltage : 1,000 V RMS / minute
 - e) Insulation Resistance : 5000 MΩ min
 - f) Insertion Force: 340g (12oz) max. per contact
 - g) Withdrawal Force: 80g (2.82 oz) min per contact

3	Insulator	PBT-4830,UL 94V-0		
2	Contact Plating	Contact Plating, Tin Plated 60u'-80u'		
1	Contact	Phosphor Bronze Thickness 0.15mm Plating		
No	Part Name	Part Material	Qty for Assy	Remarks

THIRD ANGLE PROJECTION



DRAWN
BY

CHECKED
BY

APPROVED
BY

DATE: 16-12-2015

ALL DIMENSION
ARE IN MM

