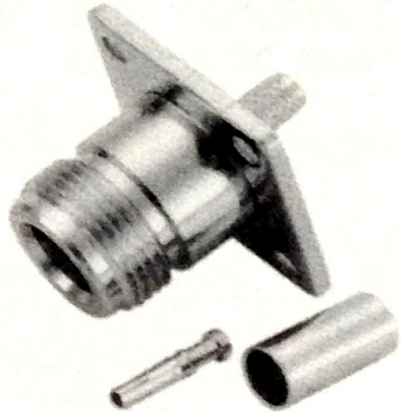
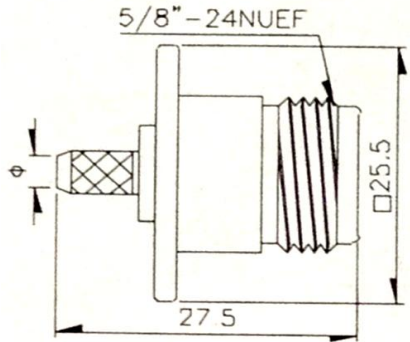


Part Description	Part No.	Material	Finishing	REV.
N FEMALE CRIMP, PANEL RECEPTACLE	OC-MCI-N- 7311	Refer to Note	Refer To Note	0



ANY DOUBTFUL PLEASE ASK. DO NOT PROCEED IF DOUBTFUL NOT CLEAR.

NOTES:

ELECTRICAL CHARACTERISTICS:-

Voltage Rating: AC 500V

With Standing Voltage: AC 1,000V / minute

Insulation Resistance: 1,000M Ω min at DC 500V

Contact Resistance: 3m Ω max at DC 1A

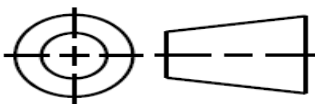
Frequency Range: 0-4,000 MHz

VSWR: 1.2max 0-4GHz

3				
2				
1				
No	Part Name	Part Material	Qty for Assy	Remarks



THIRD ANGLE PROJECTION



ALL DIMENSION
ARE IN MM

DRAWN
BY

CHECKED
BY

APPROVED
BY

DATE: 16-12-2015

BKON
CONNECTOR