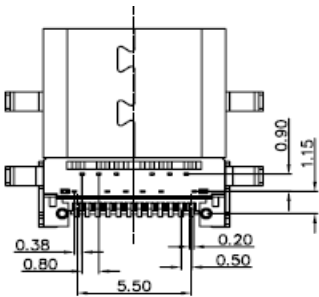
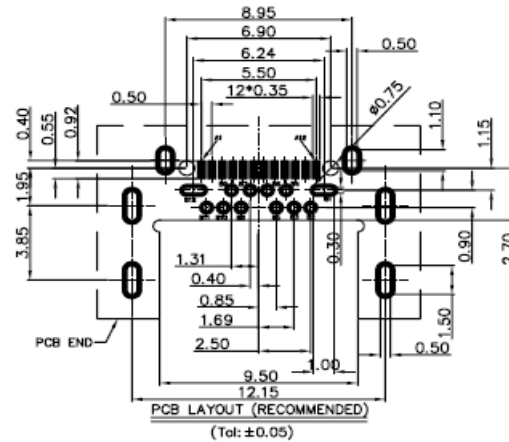
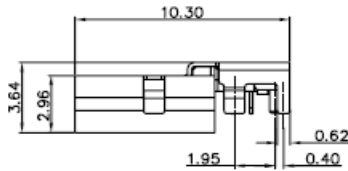
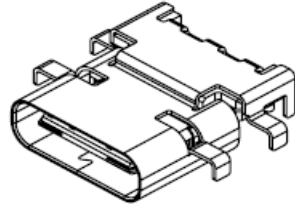
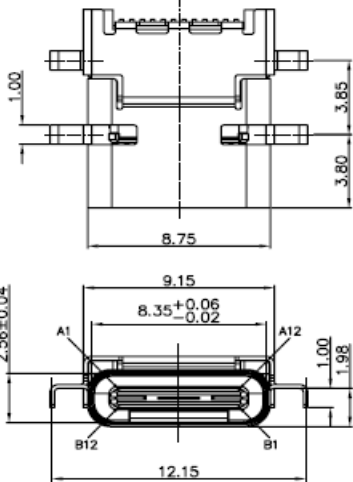


Part Description	Part No.	Material	Finishing	REV.
USB 3.1 TYPE C	OYS-184j-XX-X-X-X-X-X	Refer to Note	Refer To Note	0

How To Order

184j - $\frac{XX}{a} \frac{X}{b} \frac{X}{c} \frac{X}{d} \frac{X}{e} \frac{X}{f}$

- a. No. Of Pins
24: 24 positions
- b. Contact Type
2: Female
- c. Contact Plating
0: Gold flash selective gold
1: 5u" selective gold over 100u" nickel
2: 15u" selective gold over 100u" nickel
3: 30u" selective gold over 100u" nickel
- d. Shell Type
1: Nickel
- e. Insulator Color
1: Black
- f. Type
1: SMT TYPE (Sink type)



PIN	Signal Name	PIN	Signal Name
A1	GND	B12	GND
A2	SSTXp1	B11	SSRXp1
A3	SSTXn1	B10	SSRXn1
A4	VBUS	B9	VBUS
A5	CC1	B8	SBU2
A6	Dp1	B7	Dn2
A7	Dn1	B6	Dp2
A8	SBU1	B5	CC2
A9	VBUS	B4	VBUS
A10	SSRXn2	B3	SSTXn2
A11	SSRXp2	B2	SSTXp2
A12	GND	B1	GND



ANY DOUBTFUL PLEASE ASK. DO NOT PROCEED IF DOUBTFUL NOT CLEAR.

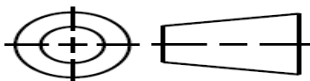
NOTES:

1. ELECTRICAL CHARACTERISTICS:-

- a) Current Rating: 1.5 A
- b) Withstanding Voltage : 100 V(ac) for 1 minute
- c) Insulator Resistance : 100 MΩ min
- d) Contact Resistance: Initial 40 mΩ Max; after 50 mΩ Max

Quantity	Part Name	Part Material	Qty for Assy	Remarks
5	Plating Shell	20u" Nickel Min		
4	Plating Contact	Contact: 30u" Min Gold over 50u" Min Nickel Solder Tail: 120u" Min Tin over 50u" Min Nickel		
3	Shell	SUS 304, T=0.20±0.02		
2	Contact	C2680, t=0.25±0.02		
1	Housing	Glass-filled Thermoplastic high temperature, UL94V-0		
No	Part Name	Part Material	Qty for Assy	Remarks

THIRD ANGLE PROJECTION



DRAWN BY

CHECKED BY

APPROVED BY

ALL DIMENSION ARE IN MM

DATE: 16-12-2015



Part Description	Part No.	Material	Finishing	REV.
USB 3.1 TYPE C	OYS-184j-XX-X-X-X-X	Refer to Note	Refer To Note	0

How To Order

184j - XX X X X X X
 a b c d e f

a. No. Of Plns
24; 24 positions

b. Contact Type
1: Male

c. Contact Plating
0: Gold flash selective gold
1: 5u" selective gold over 100u" nickel
2: 15u" selective gold over 100u" nickel
3: 30u" selective gold over 100u" nickel

d. Shell Type
1: Nickel

e. Insulator Color
1: Black

f. Type
2: Edge Type

Pin Number	host	device	Pin Number	host	device
Pin A1	GND	GND	Pin B12	GND	GND
Pin A2	SSTxp1	SSTxp1	Pin B11	SSRxp1	SSRxp1
Pin A3	SSTxm1	SSTxm1	Pin B10	SSRxm1	SSRxm1
Pin A4	VBUS	VBUS	Pin B9	VBUS	VBUS
Pin A5	CC1	CC1	Pin B8	SBU2	SBU2
Pin A6	DP1	DP1	Pin B7		
Pin A7	DN1	DN1	Pin B6		
Pin A8	SBU1	SBU1	Pin B5	CC2	CC2
Pin A9	VBUS	VBUS	Pin B4	VBUS	VBUS
Pin A10	SSRxm2	SSRxm2	Pin B3	SSTxm2	SSTxm2
Pin A11	SSRxp2	SSRxp2	Pin B2	SSTxp2	SSTxp2
Pin A12	GND	GND	Pin B1	GND	GND

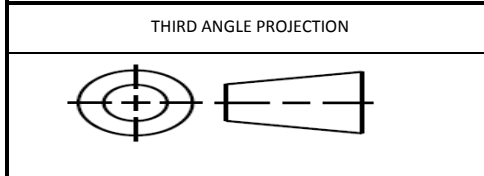
RECOMMENDED P.C.B LAYOUT
ALL TOLERANCE ±0.05mm

ANY DOUBTFUL PLEASE ASK. DO NOT PROCEED IF DOUBTFUL NOT CLEAR.

NOTES:

- ELECTRICAL CHARACTERISTICS:-
 - Current Rating: 5.0A for VBUS (I.e., plns A4,A9,B4,B9). 1.25A for Vconn and GND (I.e., plns B5,A1,A12,B1,B12). 0.25A for all the other contacts.
 - Withstanding Voltage : 100 V(ac) for 1 minute
 - Insulator Resistance : 100 MΩ min
 - Contact Resistance: Initial 40 mΩ Max; after 50 mΩ Max

5	Plating Shell	20u" Nickel Min		
4	Plating Contact	Contact: 30u" Min Gold over 50u" Min Nickel Solder Tail: 120u" Min Tin over 50u" Min Nickel		
3	Shell	SUS 304, T=0.20±0.02		
2	Contact	C2680, t=0.25±0.02		
1	Housing	Glass-filled Thermoplastic high temperature, UL94V-0		
No	Part Name	Part Material	Qty for Assy	Remarks



ALL DIMENSION ARE IN MM			
DATE: 16-12-2015	DRAWN BY	CHECKED BY	APPROVED BY

